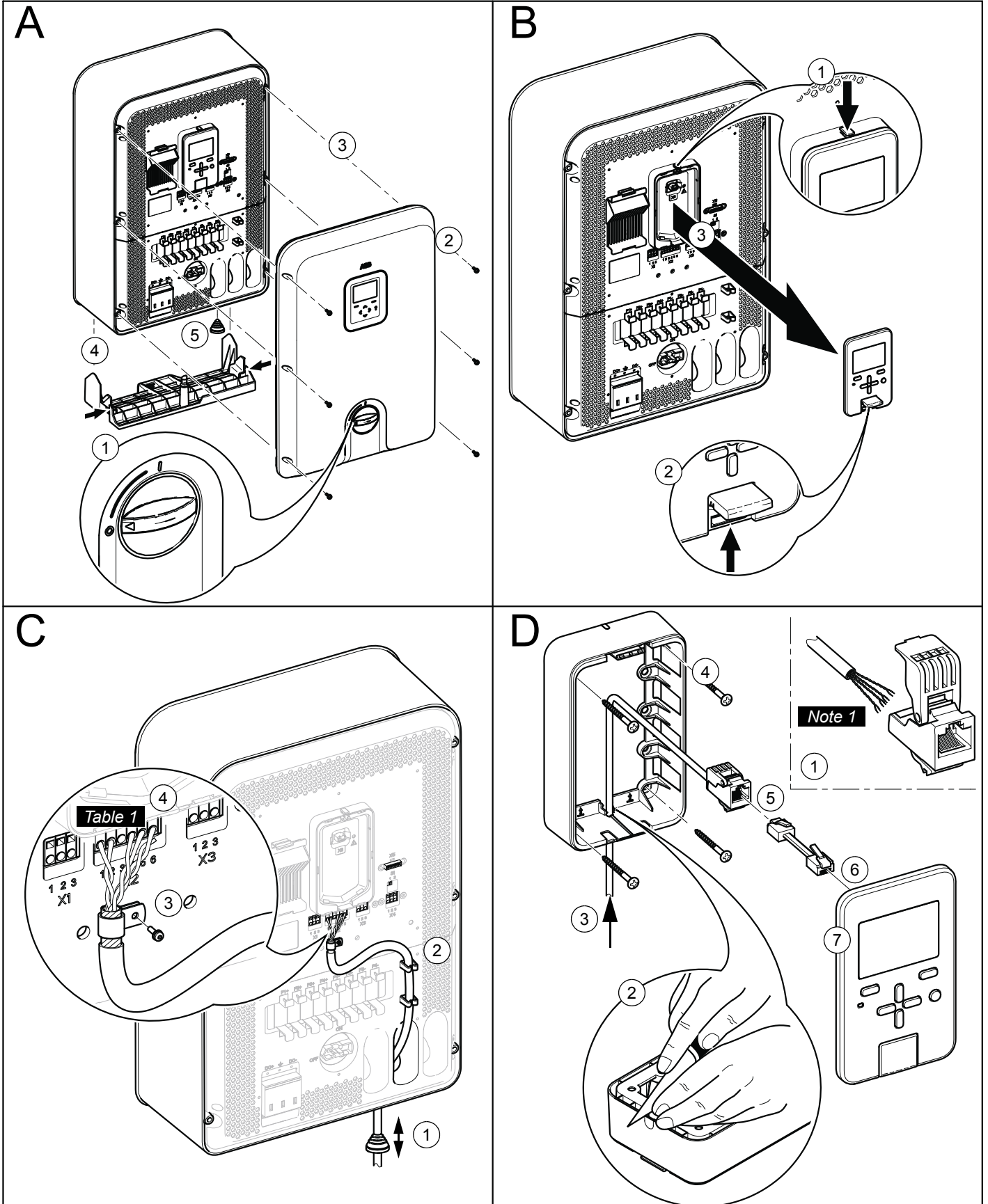


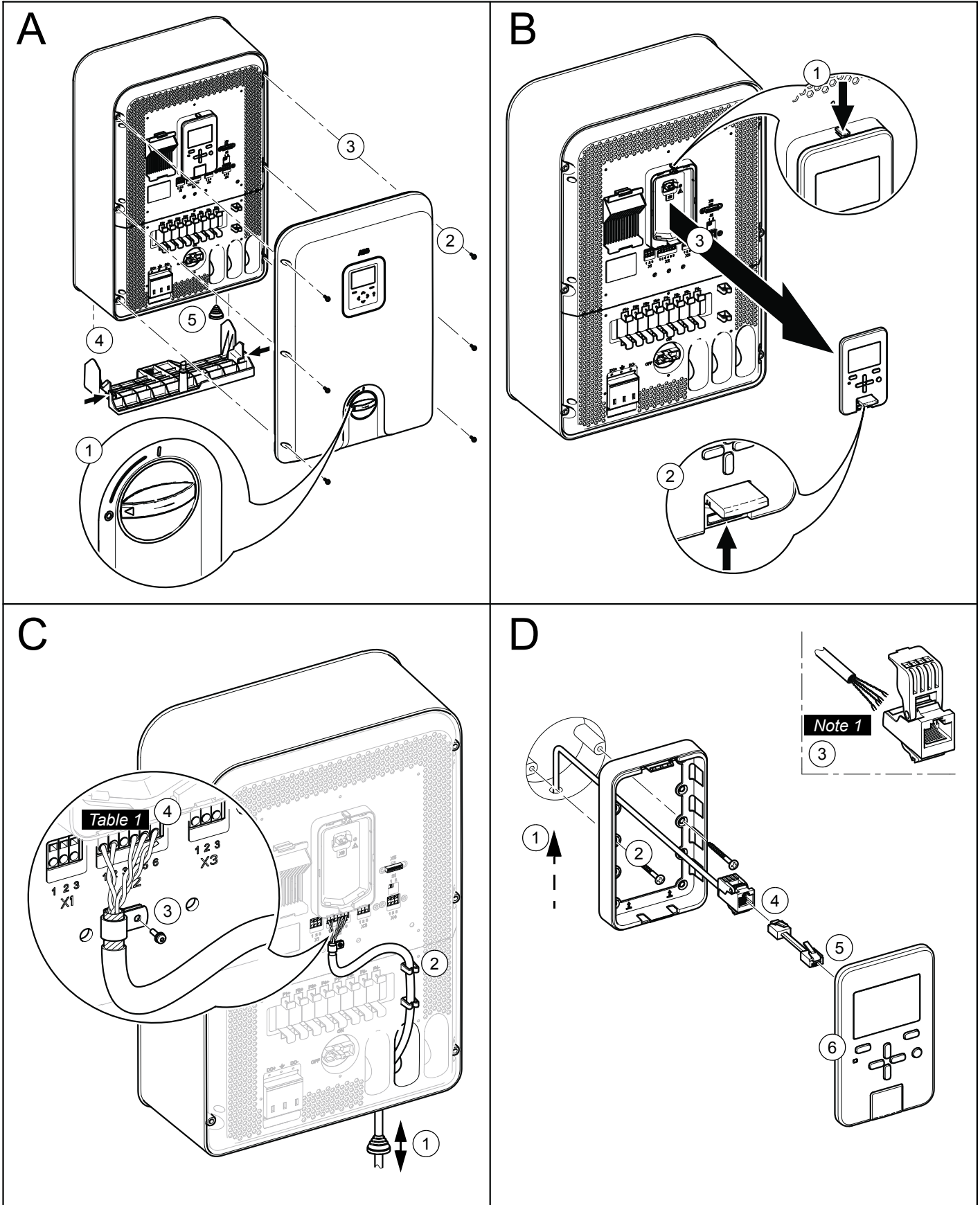
Installation guide

PVS-APK-F control unit wall mounting kit for PVS300 string inverters

Surface mounting



Flush mounting



Dimensions

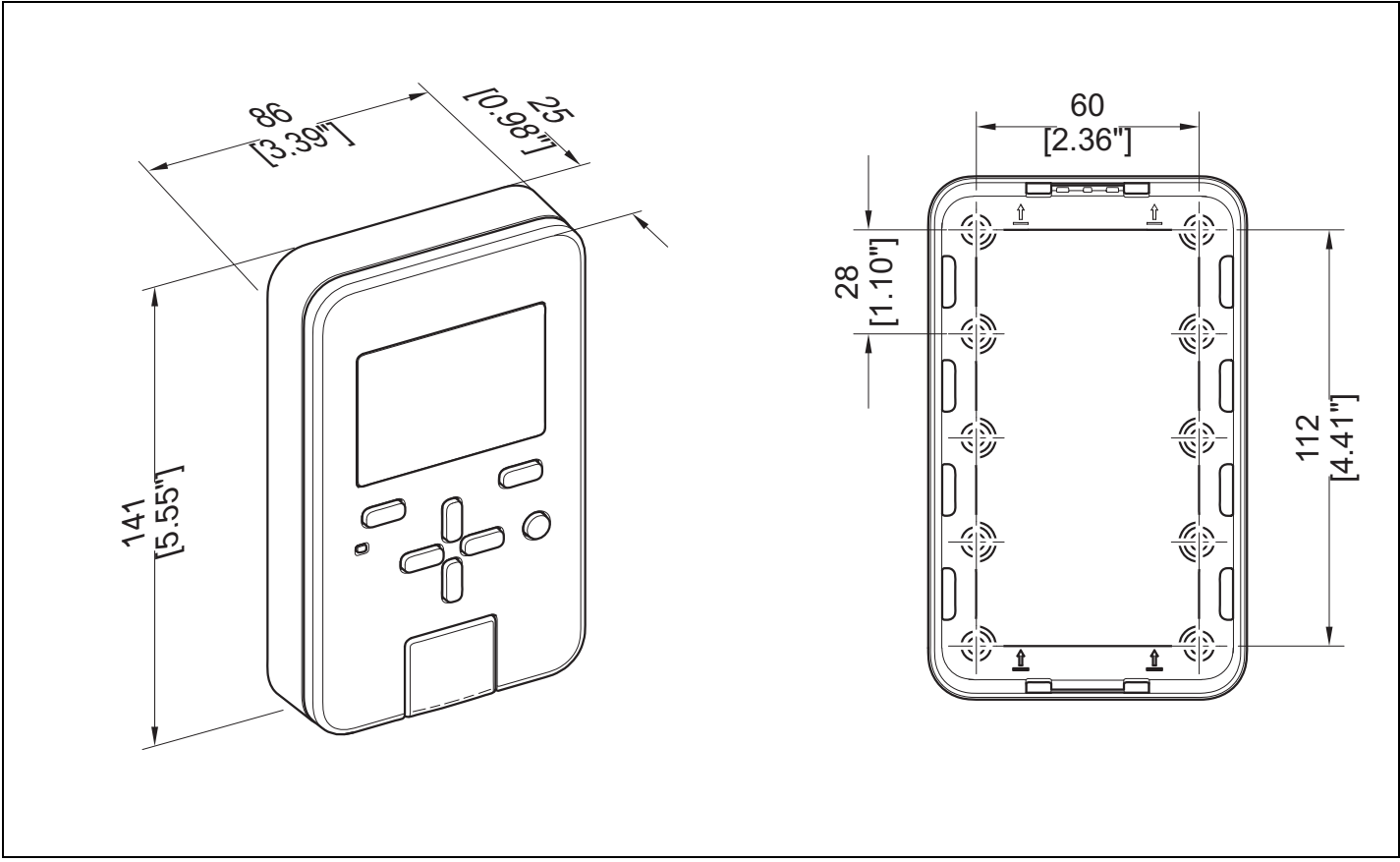
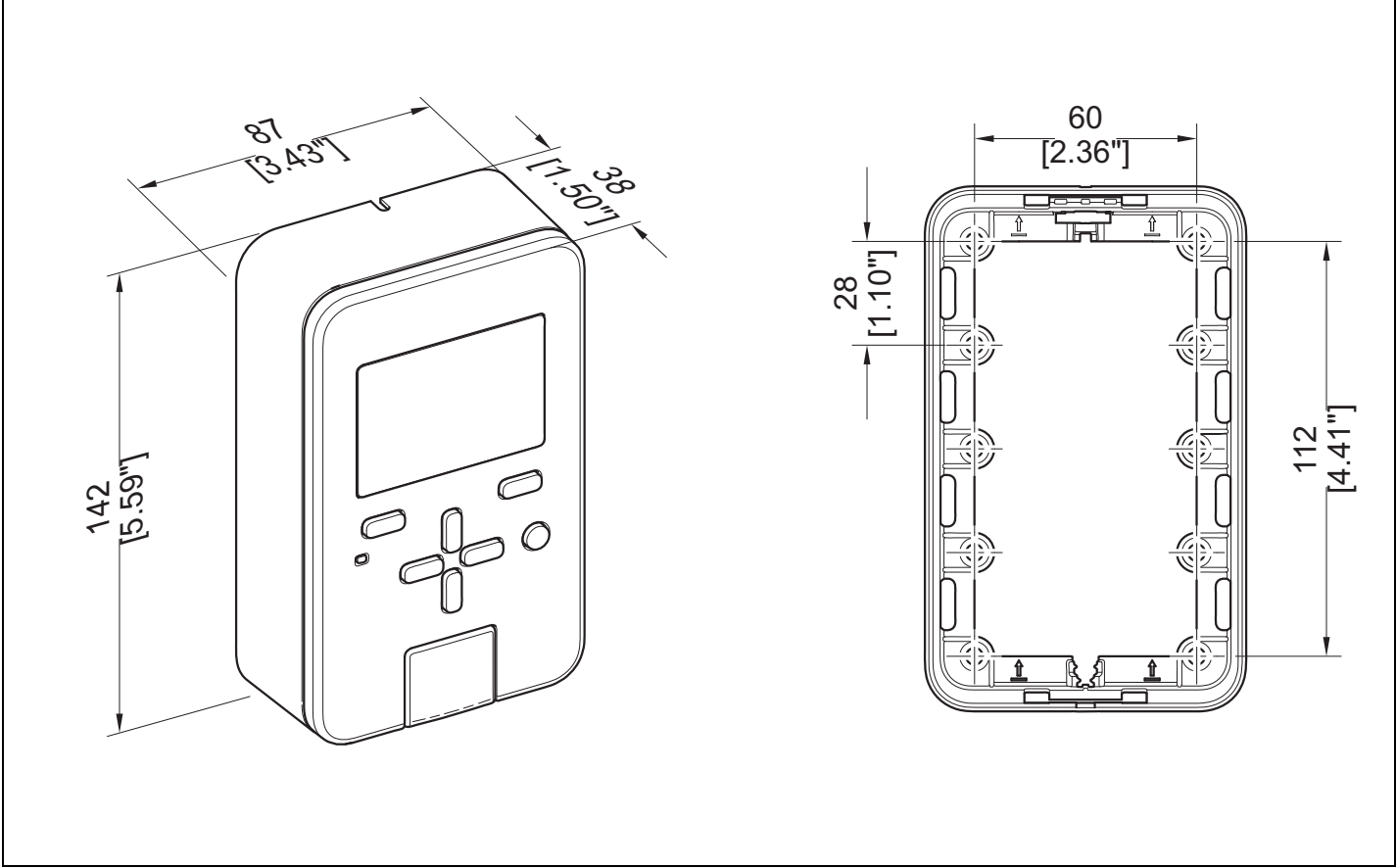
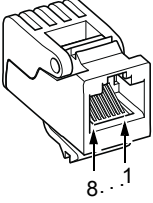


Table 1

Inverter X2			Connector		
Name	Pin		Pin	Name	Description
Data +	X2:1		1	Data+	Inverter RS-485 transmit data
Data -	X2:2		2	Data-	Inverter RS-485 receive data
GND_A	X2:3		3	NC	No connection
+24V_A_1	X2:4		4	NC	No connection
GND_A	X2:5		5	GND_A	Functional ground, isolated /
REM_CTL_ENA	X2:6		6	GND_A	Ground for external RS-485 adapter
			7	GND_A	
			8	+24V	


Note 1

To install the connector, see the separate instructions delivered with it, or visit the manufacturer's web site.

- Manufacturer: Tyco Electronics
- Connector no: 1116604-2
- Web site: <http://www.te.com>